

www.polyskid.com

P.O. Drawer 349, Monticello, GA. 31064

Order: 800-542-7659

Phone: 706-468-2801

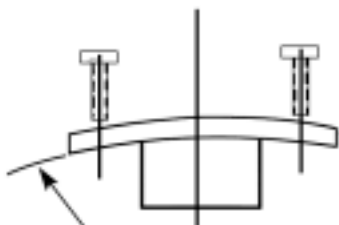
Fax: 706-468-2881

E-Mail: polytech@polyskid.com

Retractable Poly Fingers

for John Deere

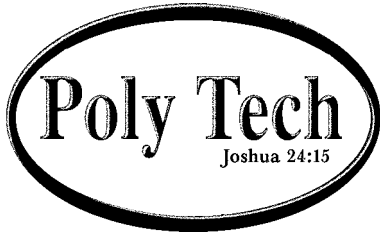
PLEASE READ ENTIRE INSTRUCTION SHEET BEFORE STARTING



Bushing
Torx Bolt
Poly Finger

#40602
#40603
#40600

Outside of Drum



Retractable Poly Fingers

for John Deere

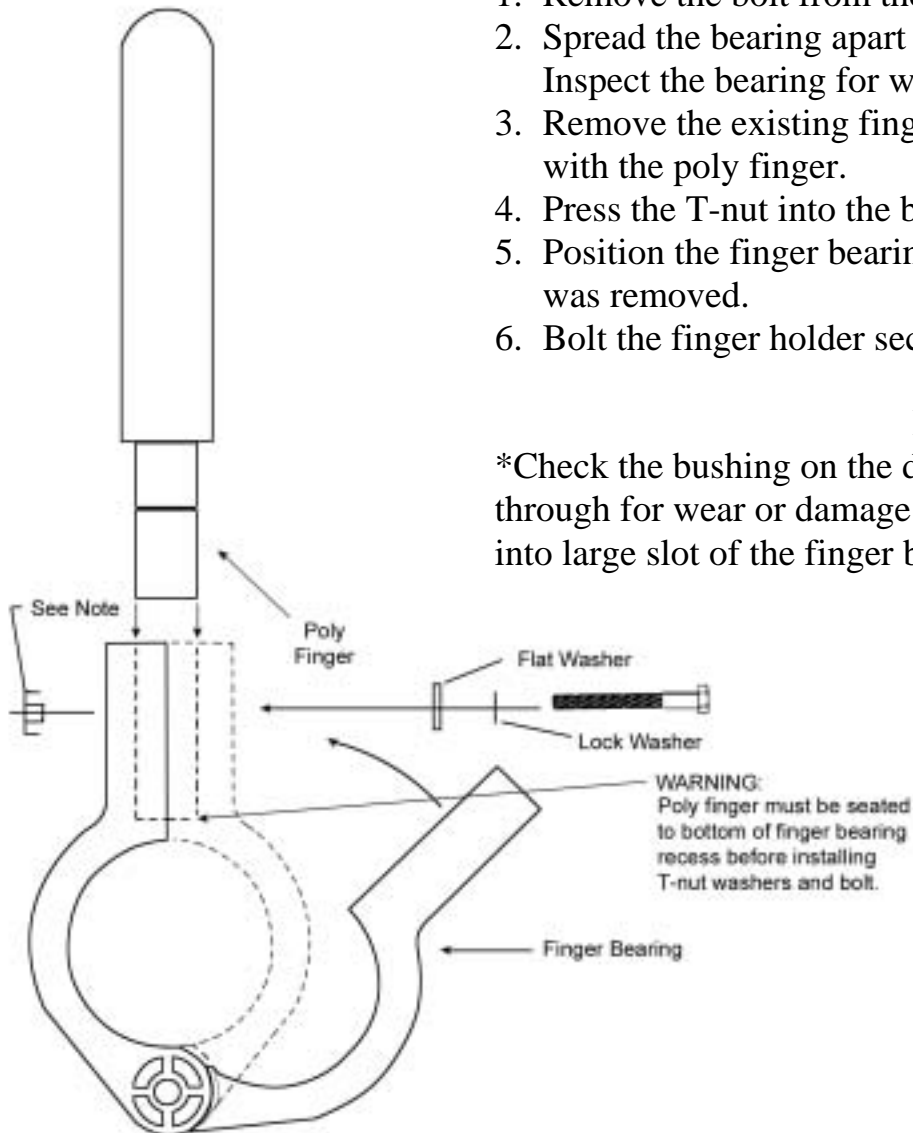
PLEASE READ ENTIRE INSTRUCTION SHEET BEFORE STARTING

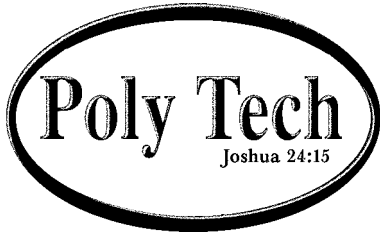
INSTALLATION INSTRUCTIONS CONTINUED

1. Remove the bolt from the existing finger bearing.
2. Spread the bearing apart and remove it from the auger. Inspect the bearing for wear or damage.
3. Remove the existing finger from the bearing and replace it with the poly finger.
4. Press the T-nut into the bearing.
5. Position the finger bearing onto the auger camshaft where it was removed.
6. Bolt the finger holder securely in place.

NOTE:

*Check the bushing on the drum where the finger passes through for wear or damage. T-nut (00712) must be inserted into large slot of the finger bearing.





Retractable Poly Fingers

for John Deere

PLEASE READ ENTIRE INSTRUCTION SHEET BEFORE STARTING

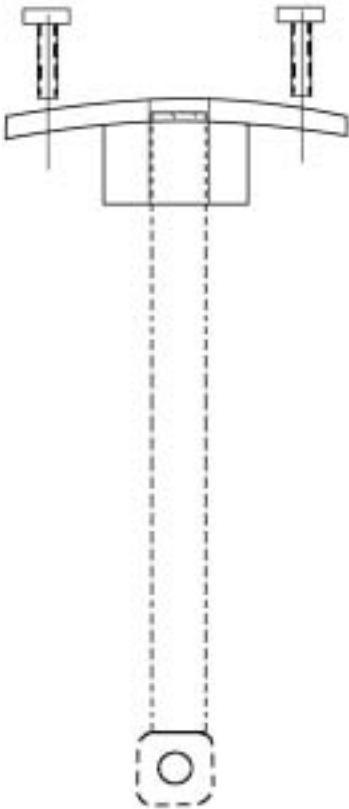
INSTALLATION INSTRUCTIONS CONTINUED

- When the finger is retracted to the maximum, it should be flush the guide. Also recheck the clearance between extended finger and the auger floor.

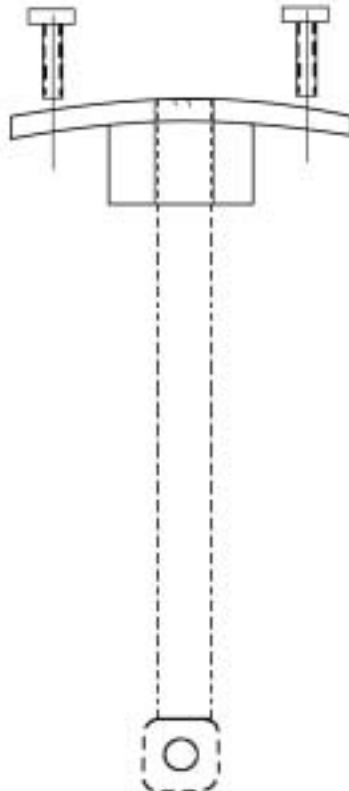
NOTE:

This setting is for Poly Tech Finger and Guide only.

ACCEPTABLE - 3/16"
BELOW SURFACE



FLUSH MOUNTING
PREFERRED METHOD



NOT ACCEPTABLE
EXTENDED BEYOND FLUSH

