

HOW TO INSTALL YOUR POLY LAST™ PICKER DOOR COVERS CASE-IH 1822/44, 2022/44, 2055, 2155 & 2555

CONGRATULATIONS - You have purchased the most advanced poly cotton picker door cover on the market today. Proper installation will insure you complete satisfaction.

PLEASE READ ENTIRE INSTRUCTION SHEET BEFORE STARTING

TOOLS YOU WILL NEED FOR POLY INSTALLATION.

1. Electric or air operated hand drill
2. Wire brush
3. C-clamps or similar holding device
4. Hammer

Note: Poly Last™ picker door covers are intended for installation over original equipment steel doors in good operating condition.

BE SURE YOU HAVE RECEIVED THE FOLLOWING BEFORE YOU BEGIN INSTALLATION.

1. One each - Poly Last™ Front and Rear door covers per row ordered.
2. Two each - Poly Last™ Extension covers per row ordered.
3. If ordered individually - Poly Last™ cover for proper panel.
4. Hardware kit - Includes rivets and drill bit.

INSTALLING POLY LAST™ PICKER DOOR COVERS

1. Remove picker doors to be covered as directed in your Case service manual.
2. Remove optional scrapper plates if your picker door is equipped with them.
3. Use the wire brush to clean all loose rust and crop residue from door surface.
4. Match Poly Last™ cover to corresponding steel panel on which it is to be installed.
5. Beginning with the extensions, Allow pre-formed area of extension poly cover to fall into bend in steel. Now line up regular holes in poly with existing scrapper plate holes in your steel and temporarily bolt in place using 5/16" hex head or similar bolts (not included).
6. Use drill bit supplied to drill holes in your steel through all countersunk holes. Be careful not to damage poly around hole during this process.
7. Install Poly Last cover using included hammer rivets and remove bolts used to temporarily secure cover. NOTE: See [Figure-1](#) for hammer rivet explanation.
8. Once extensions are covered attach steel door and extensions together in the manner they operate in the picker. NOTE: See [Figure 2](#)
9. Install poly covers on front & rear Door. Beveled edge faces the rear of the door.
10. Align door cover so that bevel of poly door cover is 1/4" from the bevel on the extension poly cover as illustrated in [Figure 3](#). (This spacing is necessary to allow proper door hinge movement. Failure to leave this space could hinder picker door operation.)
11. Re-install the covered doors per Case service manual. Take care not to damage Poly Last™ covers on spindles. Remember that you now have 1/4" less clearance than before. Proper clearance adjustment must be made before operating your picker.

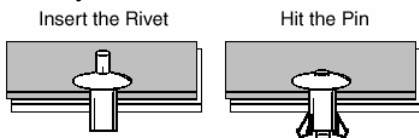


Figure -1

HOW TO INSTALL YOUR POLY LAST™ PICKER DOOR COVERS CASE-IH 1822, 1844, 2055 & 2155

Figure-2: Poly Last™ Door Cover Alignment

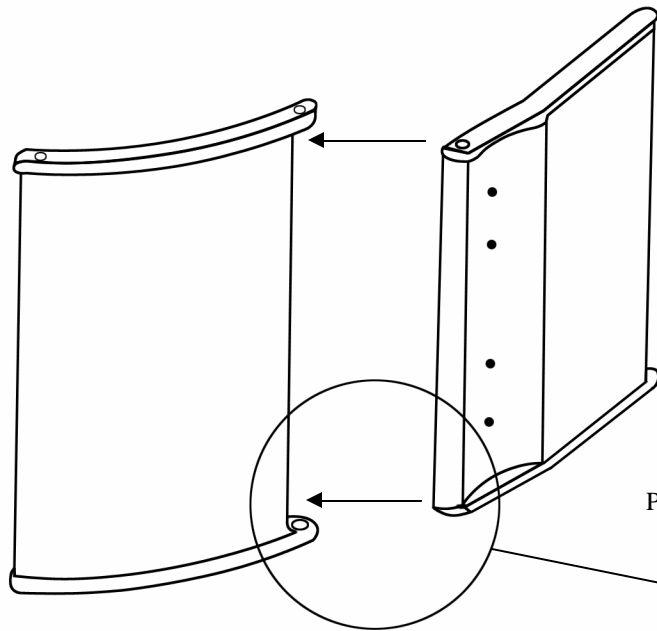
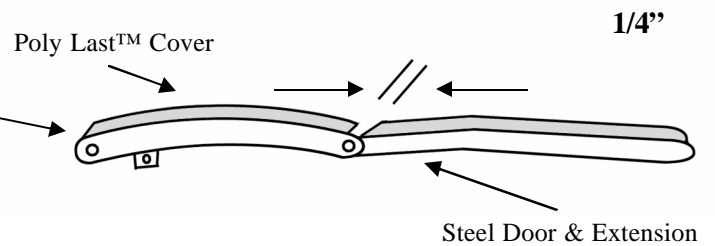


Figure-3: Alignment of Beveled Edge(end view)



Temperature Information Very Important
Installation of your Poly Last™ Picker Door Covers Should be done within a temperature range of 60 F to 85 F

Thank you for choosing another fine Poly Last™ product.
Any questions - Call Poly Tech Customer service at 1-800-448-7659